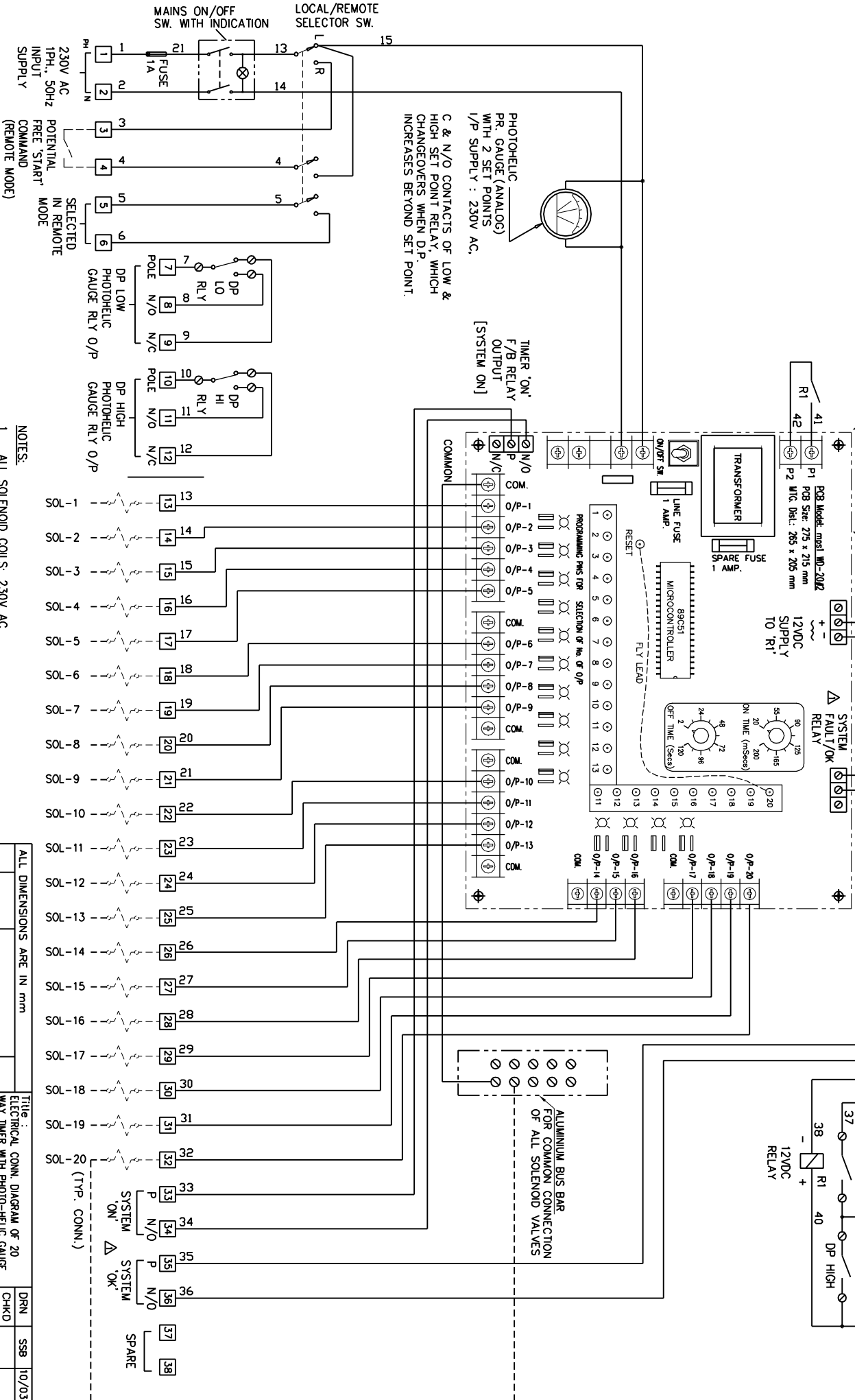


20WAY SEQ. CONT. -1  
(20 SOLENOIDS)



- NOTES:
1. ALL SOLENOID COILS: 230V AC
  2. ----- THIS LINE INDICATES WIRING TO BE DONE BY CUSTOMER
  3. Nos. IN SQUARE INDICATE OUTGOING TERMINAL NOS. (CIS 2.5)

REV.	DATE	DESCRIPTION	BY	PROJECT
Δ	31/3/06	SYSTEM FAULT/OK RELAY ADDED		

ALL DIMENSIONS ARE IN mm		Title :	
DRN	SSB	ELECTRICAL CONN. DIAGRAM OF 20	
CHKD		WAY TIMER WITH PHOTO-HELIC GAUGE	
APVD		I/P & O/P: 230VAC (MODEL: mpisi WD-29#1)	
SCALE : NTS		<b>X'CALIBUR AUTOMATION</b>	
DWG. NO. K1403-02		26, VDYESH, SENADUTTA PETH, PUNE - 411 030, (INDIA)	
REV.: 1		CLIENT: GE ENERGY (BHA GROUP) FILE: BH15-20WAYTIMER PHOTO-1	